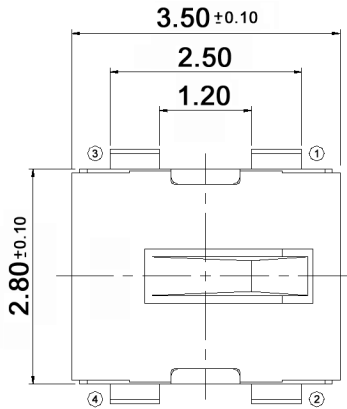
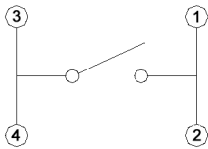
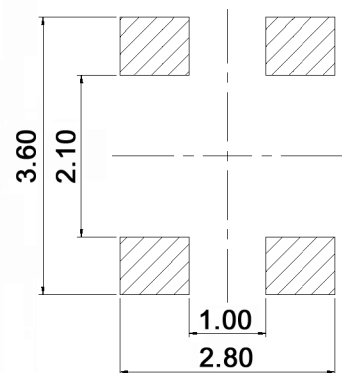


CIRCUIT



**P.C.B. LAYOUT
(VIEW FROM THE DIRECTION A)**



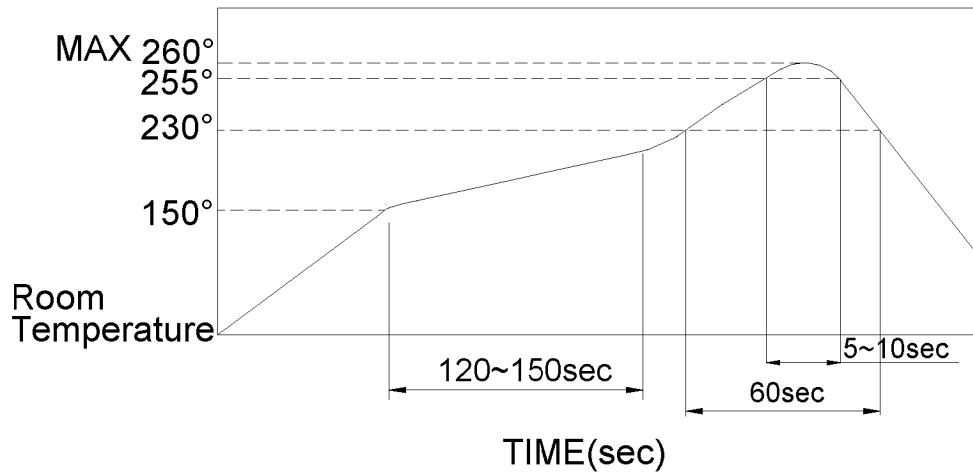
Specifications:

- Contact rating:** 1mA, 5V DC; (10mA, 36V DC with reduced electrical life of 500 cycles)
- Contact resistance:** 20Ohm max.
- Insulation resistance:** 100MOhm min. at 100V DC
- Dielectric strength:** 100V AC for 1 minute
- Operating temperature:** -40°C to +85°C
- Storage temperature:** -40°C to +85°C
- Operating force:** 50gf max.
- Stroke:** 1.03mm max.
- Electrical life:** 100 000 cycles
- Protection:** IP 40
- Contact arrangement:** 1 pole 1 throw
- Material:**
 - Cover: stainless steel
 - Contact: phosphor bronze with silver plated
 - Terminal: brass with silver plated
 - Base / stem: LCP high-temp. thermoplastic, black



Tolerances:	Date	Name	DTS 01	30 07 79	Page
	02/06	dr			
Temperatures	10/10	dr	knitter-switch	30 07 79	
Protection	09/06	dr			
Specifications	04/06	dr			
Modifications	Date	Name			1/3

Soldering profile:



- The condition mentioned above is the temperature on the Cu foil of the PCB surface. There are cases where board's temperature greatly differs from switch's surface be used not to allow switch's surface temperature to exceed 260°C.
- Manual Soldering

Soldering Temperature	Max.350°C
Continuous Soldering Time	Max. 5 seconds

■ Precautions in Handling

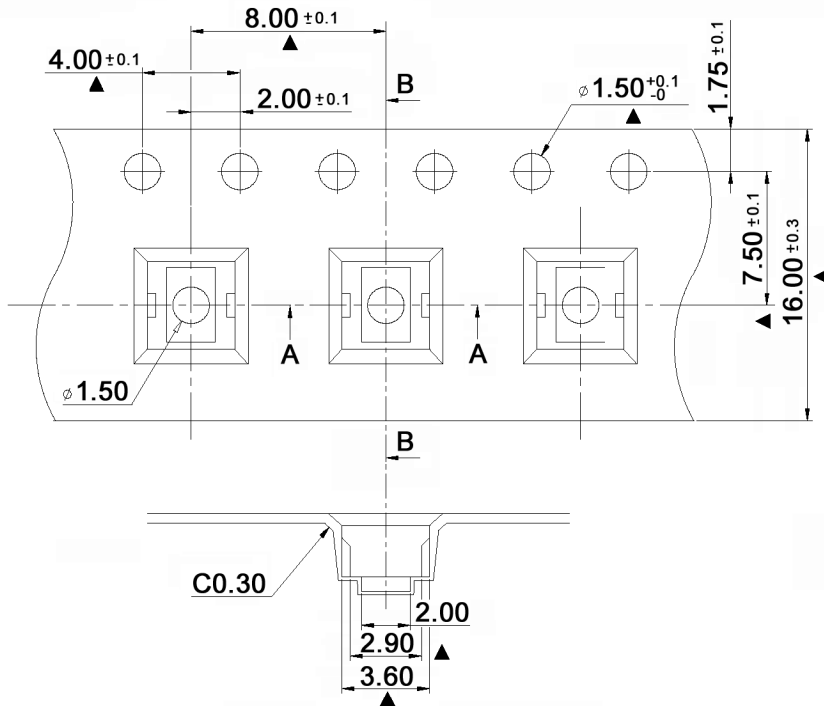
- 1.Care should be exercised so that flux from the upper part of the printed circuit board does not adhere to the switch.
- 2.Except for washable type do not wash the switch.



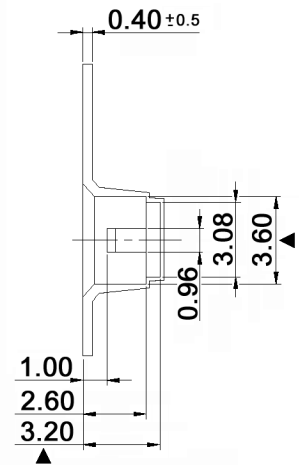
Tolerances:			Date	Name	DTS 01
			02/06	dr	
			knitter-switch		30 07 79
Modifications			Date	Name	Page 2/3

Packaging:

A-A Section



B-B Section



Packaging unit: 2600 pcs. / reel



Tolerances:			Date	Name	<h1>DTS 01</h1>
			02/06	dr	
			knitter-switch		<h1>30 07 79</h1>
Modifications	Date	Name			Page 3/3